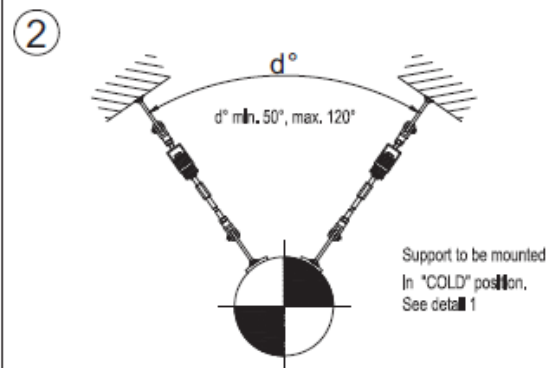
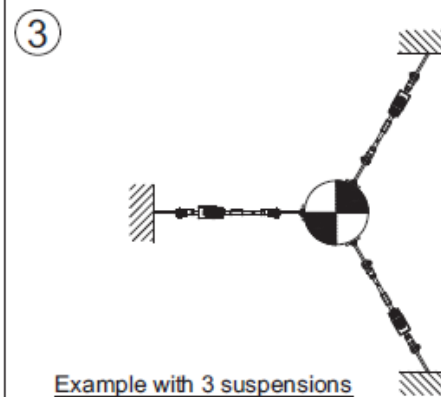


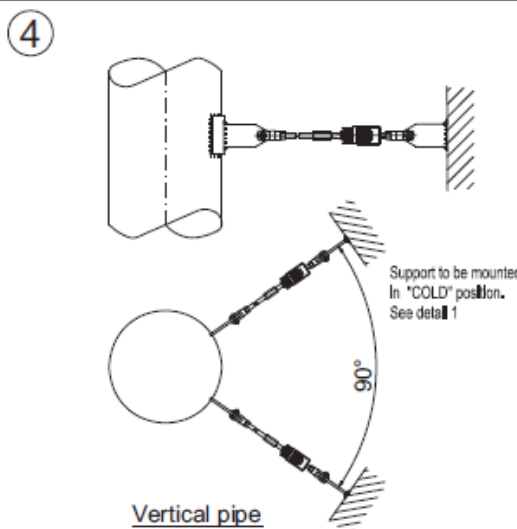
Support must be mounted in "COLD" position in a way that it will be perpendicular to the pipe in "HOT" condition, however max. x mm. (See scheme)



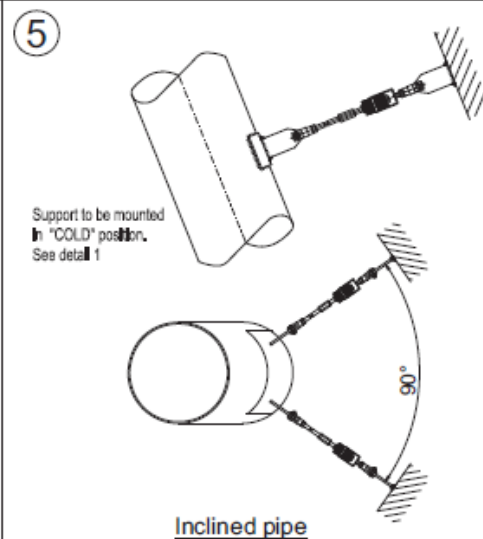
Horizontal pipe



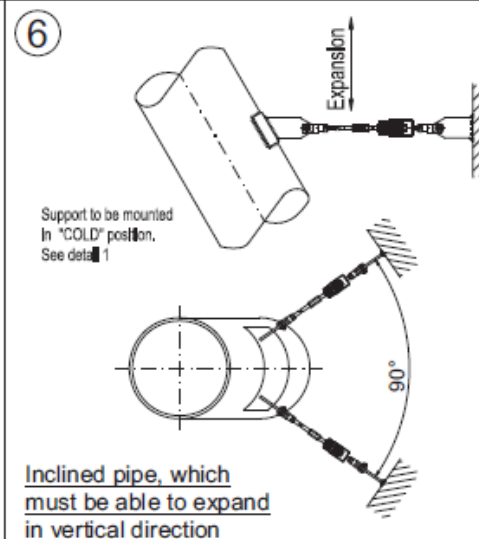
Example with 3 suspensions



Vertical pipe



Inclined pipe



Inclined pipe, which must be able to expand in vertical direction

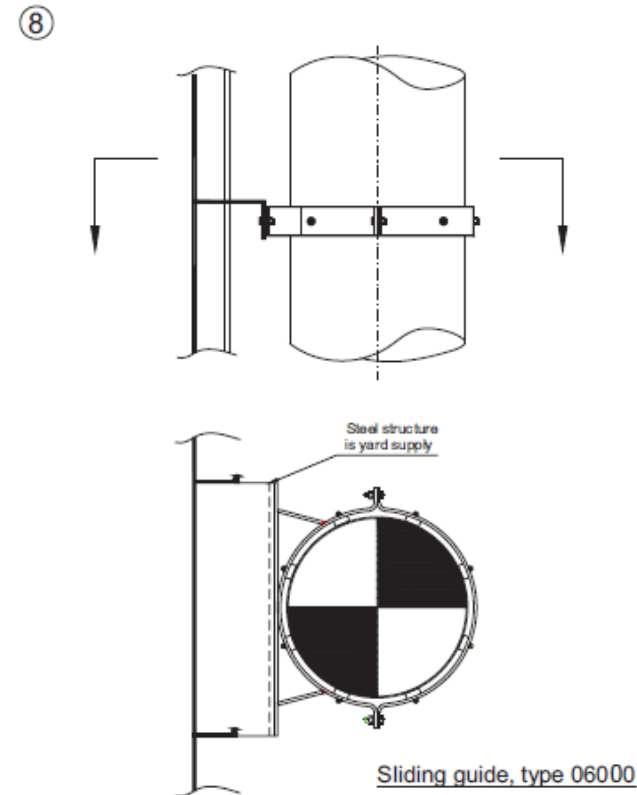
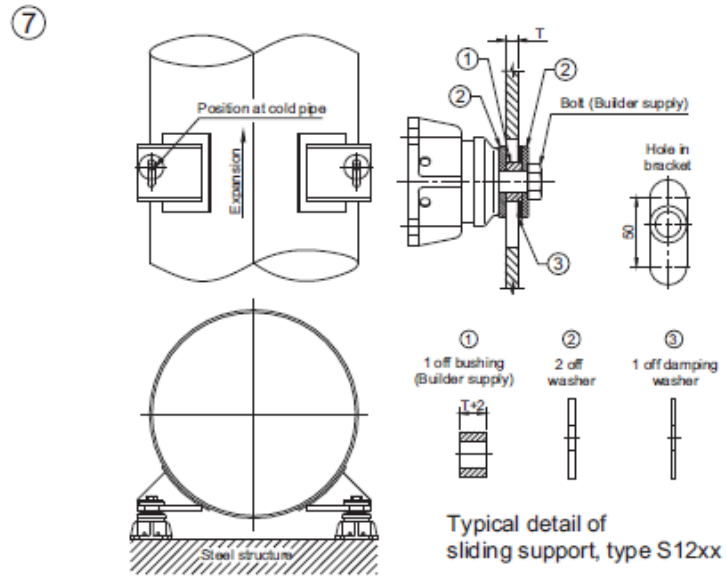
Flexible sliding supports

Mounting examples for:

- S 30XX
- S 35XX

And

- 06000
- S 12XX



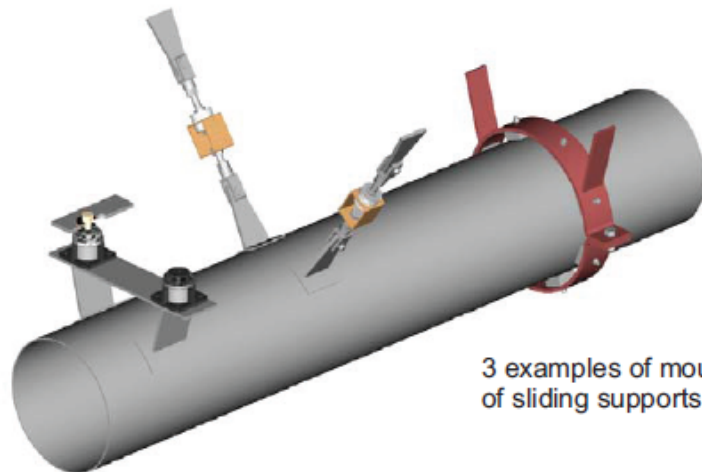
Flexible sliding supports

Mounting examples for:

- S 30XX
- S 35XX

And

- 06000
- S 12XX



3 examples of mounting of sliding supports.