

Ring with flexible elements

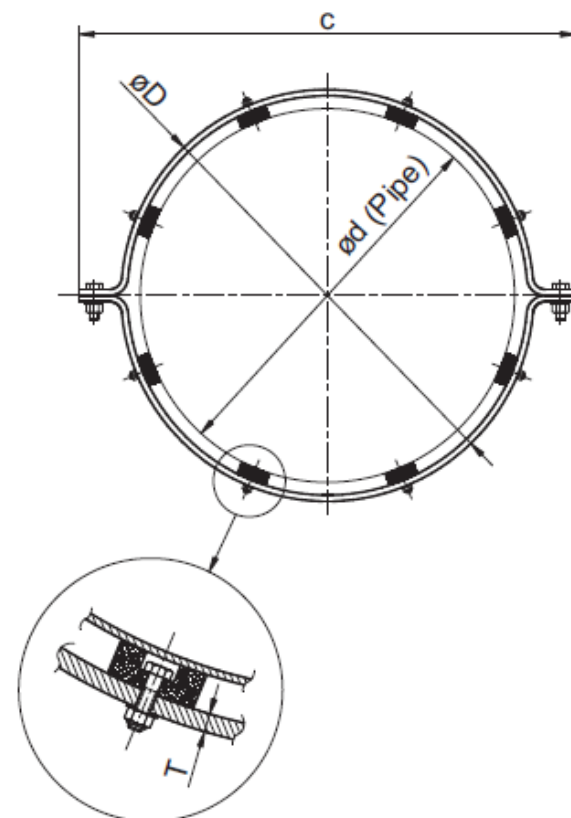
Stock no. 06000

Description:

- Sliding guides are used for both horizontal and vertical pipes.

Material:

- Ring: S235JRG2
- Cushions: Type 94010



Stock No.	Nominal dia.	Pipe dia	øD	T	c	Weight
	ND	ød				
		[mm]	[mm]	[mm]	[mm]	[kg]
06000-01-0080	80	88.9	145	6.0	215	3.2
06000-01-0101	100	101.6	159	6.0	229	3.5
06000-01-0100	100	114.3	172	6.0	242	3.7
06000-01-0125	125	139.7	198	6.0	268	4.3
06000-01-0150	150	168.3	226	6.0	296	4.9
06000-01-0175	175	193.7	252	6.0	322	5.3
06000-01-0200	200	219.1	277	6.0	371	6.0
06000-01-0250	250	273.0	331	6.0	425	7.0
06000-01-0300	300	323.9	384	6.0	476	8.0
06000-01-0350	350	355.6	414	6.0	508	8.6
06000-01-0400	400	406.4	464	6.0	558	9.5
06000-01-0450	450	457.0	515	6.0	609	10.4
06000-01-0500	500	508.0	570	8.0	694	14.9
06000-01-0550	550	559.0	621	8.0	745	16.3
06000-01-0600	600	610.0	672	8.0	796	17.5
06000-01-0650	650	660.0	722	8.0	846	18.9
06000-01-0700	700	711.0	773	8.0	897	20.1
06000-01-0750	750	762.0	824	8.0	948	21.5
06000-01-0800	800	813.0	875	8.0	999	22.7
06000-01-0850	850	864.0	926	8.0	1050	23.9
06000-01-0900	900	914.0	976	8.0	1100	25.4
06000-01-0950	950	964.0	1026	8.0	1150	26.8
06000-01-1000	1000	1016.0	1078	8.0	1202	28.0