

## Gas- & water tight deck- og bulkhead penetration With cushions for pipe support

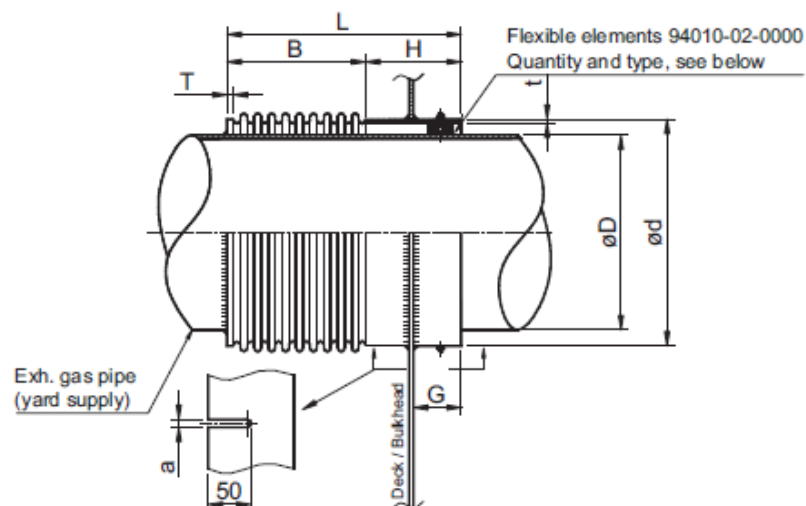
**Stock no. 06800**

### Description:

This type of bulkhead penetration is designed to be mounted in a bulkhead or deck which must be gas- og watertight. It absorbs the motion of the pipe through the bulkhead. The 06800 type with cushions can be used as a combination of pipe support and penetration. See also 06810

### Material:

- Penetration part and flange: S235JRG2
- Bellow: EN 1.4541
- Cushions: type 94010



Stock No.	Nominal dia. ND	Pipe dia. øD	ød	B	G	H	L	t	T	Weight [kg]	C9419	C9425	a
		[mm]									Qnt.	Qnt.	
06800-01-0080	80	88,9	131	110	75	150	260	4	10	2,7	3		7
06800-01-0100	100	114,3	156	110	75	150	260	4	10	3,2	3		7
06800-01-0125	125	139,7	182	110	75	150	260	4	10	4,2	3		7
06800-01-0150	150	168,3	210	110	75	150	260	4	10	5,3	4		7
06800-01-0200	200	219,1	273	110	100	150	260	4	10	6,4		4	9
06800-01-0250	250	273,0	327	110	100	150	260	4	10	7,8		6	9
06800-01-0300	300	323,9	378	110	100	150	260	4	10	9,8		6	9
06800-01-0350	350	355,6	410	110	100	150	260	4	10	11,3		6	9
06800-01-0400	400	406,4	460	110	100	150	260	4	10	13,0		6	9
06800-01-0450	450	457,0	511	200	100	150	350	4	10	15,3		8	9
06800-01-0500	500	508,0	564	200	100	150	350	5	10	18,8		8	9
06800-01-0600	600	610,0	666	200	100	150	350	5	10	22,5		10	9
06800-01-0700	700	711,0	767	200	100	150	350	5	10	26,0		10	9
06800-01-0800	800	813,0	869	200	100	150	350	5	10	30,2		12	9
06800-01-0900	900	914,0	970	200	100	150	350	5	10	35,2		12	9