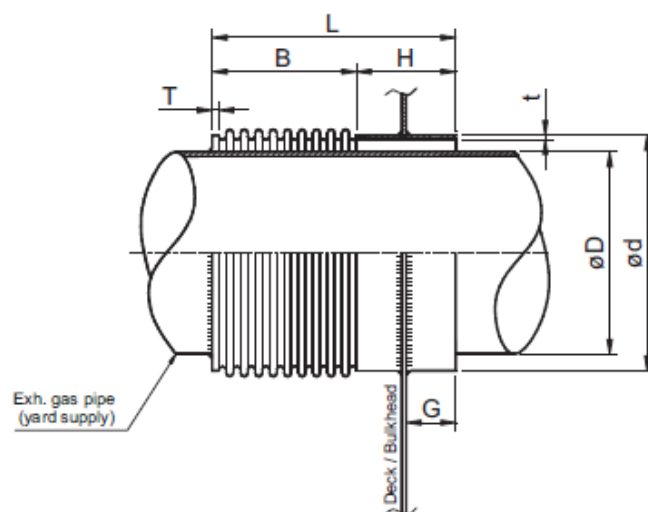


Gas- & water tight deck- og bulkhead penetration



Stock no. 06810

Description:

This type of bulkhead penetration is designed to be mounted in a bulkhead or deck which must be gas- and watertight.

It absorbs the motion of the pipe through the bulkhead.

The 06810 type is used only as penetration

For a combination of penetration and pipe support, please refer to 06800

Material:

- Penetration part and flange: S235JRG2
- Bellow: EN 1.4541

Stock No.	Nominal dia. ND	Pipe dia. øD	Ød	B	G	H	L	t	T	Weight
		[mm]	[mm]	[mm]	[mm]	[mm]	[mm]	[mm]	[mm]	
06810-01-0080	80	88,9	131	150	75	150	260	4	10	2,5
06810-01-0100	100	114,3	156	200	75	150	260	4	10	3,0
06810-01-0125	125	139,7	182	200	75	150	260	4	10	4,0
06810-01-0150	150	168,3	210	200	75	150	260	4	10	5,0
06810-01-0200	200	219,1	273	200	100	200	260	4	10	9,0
06810-01-0250	250	273,0	327	300	100	200	260	4	10	12,0
06810-01-0300	300	323,9	378	300	100	200	260	4	10	13,0
06810-01-0350	350	355,6	410	300	100	200	260	4	10	14,5
06810-01-0400	400	406,4	460	300	100	200	260	4	10	17,0
06810-01-0450	450	457,0	511	300	100	200	350	4	10	18,5
06810-01-0500	500	508,0	564	400	100	200	350	5	10	25,0
06810-01-0600	600	610,0	666	400	100	200	350	5	10	33,0
06810-01-0700	700	711,0	767	400	100	200	350	5	10	38,5
06810-01-0800	800	813,0	869	400	100	200	350	5	10	43,5
06810-01-0900	900	914,0	970	400	100	200	350	5	10	49,0

