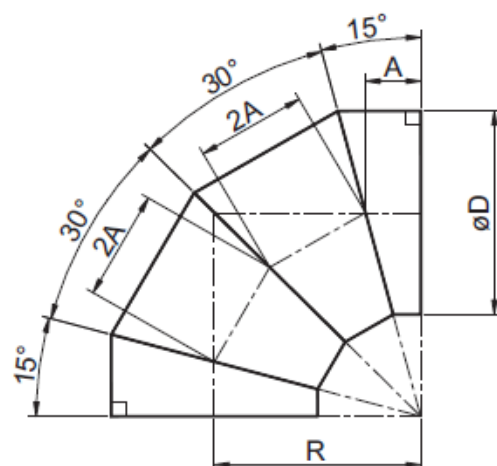


90° 1xD

Segment bend



Stock no. 73090

Description:

- Pre-fabricated, welded 1xD segment bend with dimensions according to DIN 2605-1-90-2
- Other dimensions are available
- Tolerances according to DIN 1626.

Material:

- S235JRG2

Surface treatment:

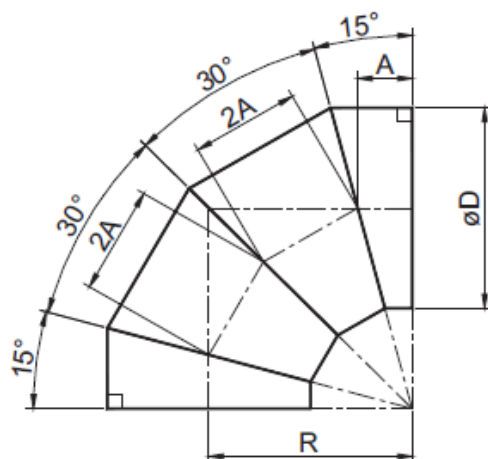
- Standart is no surface treatment.
- Other surface treatment is available.

Stock No.	Nominal Diameter	Outer pipe dia. øD	Wall thickness S	Bending radius R	Length of segment A	Weight
	[ND]	[mm]	[mm]	[mm]	[mm]	[kg]
73090-01-0300	300	323.9	4	305	82	15.5
73090-01-0350	350	355.6	4	356	95	20
73090-01-0400	400	406.4	4	406	109	26
73090-01-0450	450	457.0	4	457	122	33
73090-01-0500	500	508.0	4	508	136	41
73090-01-0550	550	559.0	4	559	150	49
73090-01-0600	600	611.0	5	610	163	73
73090-01-0650	650	660.0	5	660	177	86
73090-01-0700	700	711.0	5	711	190	100
73090-01-0800	800	813.0	5	813	218	130
73090-01-0900	900	914.0	5	914	245	165
73090-01-1000	1000	1016.0	6	1016	272	244
73090-01-1100	1100	1120.0	6	1120	300	297
73090-01-1200	1200	1220.0	6	1220	327	353



90° 1xD

Segment bend



Stock no. 73090

Description:

- Pre-fabricated, welded 1xD segment bend with dimensions according to DIN 2605-1-90-2
- Other dimensions are available
- Tolerances according to DIN 1626.

Material:

- S235JRG2

Surface treatment:

- Standart is no surface treatment.
- Other surface treatment is available.

Stock No.	Nominal Diameter	Outer pipe dia. øD	Wall thickness S	Bending radius R	Length of segment A	Weight
	[ND]	[mm]	[mm]	[mm]	[mm]	[kg]
73090-01-1300	1300	1320.0	6	1320	354	412
73090-01-1400	1400	1420.0	6	1420	380	477
73090-01-1500	1500	1520	6	1520	407	548
73090-01-1600	1600	1620	8	1620	434	828
73090-01-1700	1700	1720	8	1720	461	935
73090-01-1800	1800	1820	8	1820	488	1048
73090-01-1900	1900	1920	8	1920	514	1164
73090-01-2000	2000	2020	8	2020	541	1290
73090-01-2100	2100	2120	8	2120	568	1421
73090-01-2200	2200	2220	8	2220	595	1556
73090-01-2300	2300	2320	8	2320	622	1701
73090-01-2400	2400	2420	8	2420	648	1852

