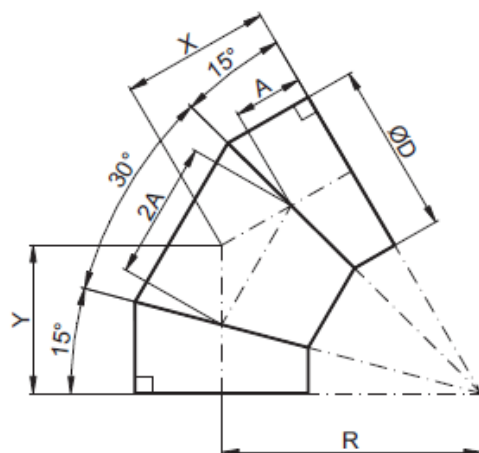


60° 1,5xD

Segment bend



**Stock no. 74060**

**Description:**

- Pre-fabricated, welded 1,5xD segment bend with dimensions according to DIN 2605-1-60-3
- Other dimensions are available
- Tolerances according to DIN 1626.

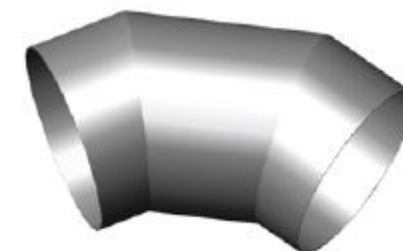
**Material:**

- S235JRG2

**Surface treatment:**

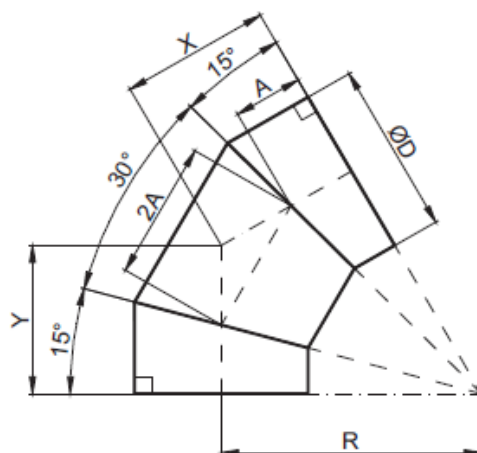
- Standart is no surface treatment.
- Other surface treatment is available.

Stock No.	Nominal Diameter	Outer pipe dia. $\varnothing D$	Wall thickness S	Bending radius R	Length of segment A	Face to face dim. X=Y	Weight
	[ND]	[mm]	[mm]	[mm]	[mm]	[mm]	
74060-01-0300	300	323.9	4	457	122	263.8	15.5
74060-01-0350	350	355.6	4	533	143	307.7	19.8
74060-01-0400	400	406.4	4	610	163	352.2	26.0
74060-01-0450	450	457.0	4	686	184	396.1	32.9
74060-01-0500	500	508.0	4	762	204	439.9	40.6
74060-01-0550	550	559.0	4	838	224	483.8	49.1
74060-01-0600	600	611.0	5	914	245	527.7	73.1
74060-01-0650	650	660.0	5	990	265	571.6	85.7
74060-01-0700	700	711.0	5	1067	286	616.0	99.6
74060-01-0800	800	813.0	5	1219	326	703.8	130.1
74060-01-0900	900	914.0	5	1372	367	792.1	164.7
74060-01-1000	1000	1016.0	6	1524	387	879.9	243.4
74060-01-1100	1100	1120.0	6	1680	450	969.9	297.1
74060-01-1200	1200	1220.0	6	1830	490	1056.6	353.0



60° 1,5xD

Segment bend



**Stock no. 74060**

**Description:**

- Pre-fabricated, welded 1,5xD segment bend with dimensions according to DIN 2605-1-60-3
- Other dimensions are available
- Tolerances according to DIN 1626.

**Material:**

- S235JRG2

**Surface treatment:**

- Standart is no surface treatment.
- Other surface treatment is available.

Stock No.	Nominal Diameter	Outer pipe dia. $\varnothing D$	Wall thickness S	Bending radius R	Length of segment A	Face to face dim. X=Y	Weight
	[ND]	[mm]	[mm]	[mm]	[mm]	[mm]	
74060-01-1300	1300	1320.0	6	1980	530	1143.2	411.7
74060-01-1400	1400	1420.0	6	2130	570	1229.8	477.1
74060-01-1500	1500	1520	6	2280	611	1316.4	457.4
74060-01-1600	1600	1620	8	2430	651	1403.0	828.2
74060-01-1700	1700	1720	8	2580	691	1489.6	934.6
74060-01-1800	1800	1820	8	2730	731	1576.2	1047.5
74060-01-1900	1900	1920	8	2880	772	1662.8	1163.7
74060-01-2000	2000	2020	8	3030	812	1749.4	1289.3
74060-01-2100	2100	2120	8	3180	852	1836.0	1421.3
74060-01-2200	2200	2220	8	3330	892	1922.6	1556.1
74060-01-2300	2300	2320	8	3480	932	2009.2	1700.8
74060-01-2400	2400	2420	8	3630	972	2095.8	1851.9

