

Bend, with guide plates

Stock no. 55280

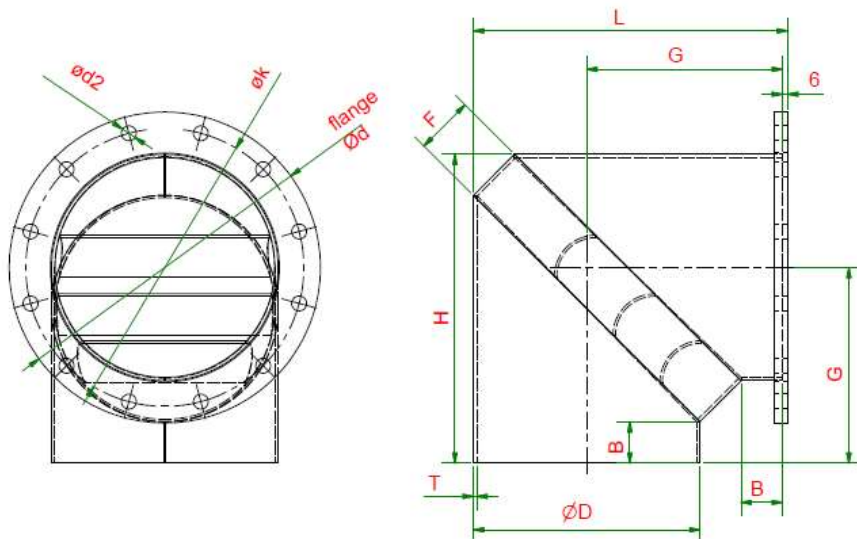
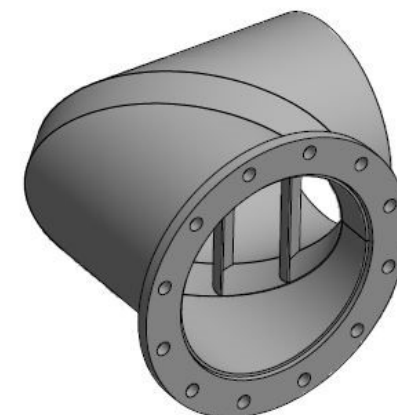
Description:

This bend is a compact bend with guides inside to reduce the back pressure, compared to a normal short angle bend

Can also be manufactured, especially according to other dimensions

Material:

- Bend part and flange: S235JRG2



Stock No.	Nominal dia. ND	Pipe dia. $\varnothing D$	F	B	G	H	L	T	$\varnothing d2$	$\varnothing k$	Flange $\varnothing d$	Flange std.	Weight Approx.
		[mm]	[mm]	[mm]	[mm]	[mm]	[mm]	[mm]	[mm]	[mm]	[mm]	DIN	[kg]
55280-01-0250	250	273,0	70	50	236	373	379	4	18	335	375	86044	19,4
55280-01-0300	300	323,9	70	69	280	442	448	4	22	395	440	86044	26,7
55280-01-0350	350	355,6	70	x	286	x	x	4	22	445	490	86044	33,0
55280-01-0400	400	406,4	70	x	300	x	x	4	22	495	540	86044	39,8
55280-01-0450	450	457,0	70	72	358	579	587	4	22	550	595	86044	49,7
55280-01-0500	500	508,0	127	x	444	698	706	5	22	600	645	86044	74,8
55280-01-0550	550	559,0	70	x	404	720	690	5	22	650	703	86044	76,0
55280-01-0600	600	610,0	70	x	416	720	715	5	22	700	754	86044	93,2
55280-01-0700	700	711,0	178	100	581	937	947	5	22	800	856	86044	x
55280-01-0800	800	813,0	100	93	580	977	987	4	22	900	958	86044	131,5
55280-01-0900	900	914,0	250	x	829	1407	1300	5	22	1010	1060	86044	x
55280-01-1000	1000	1016,0	250	x	950	1458	1468	5	22	1110	1162	86044	260,0

Dimensions and weight are indicative, must be checked by order