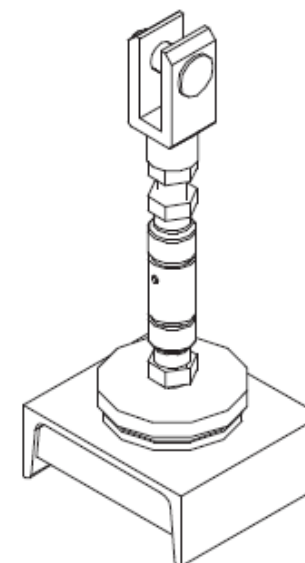
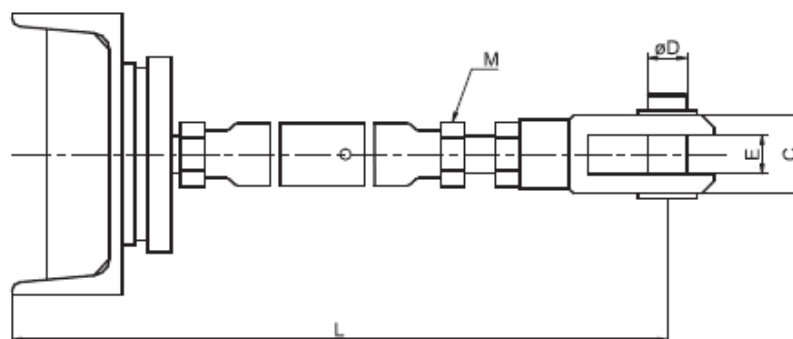
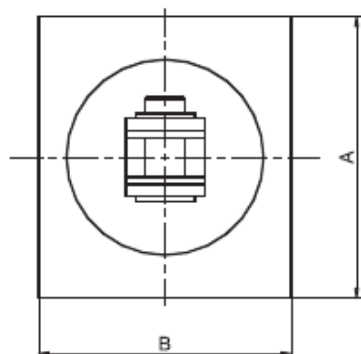


Flexible suspension



Stock no. 03500

Descriptioin:

- Housing: Steel profile, KTL-coated
- Screw and discs of steel is zink costed
- Height adjustment of steel is zink coated
- All-metal cushion of stainless steel wire
- Resonant frequency: 15-20 Hz
- Right/Left thread.

Dimensions:

Type no.	Stock No.	øA	B	C	øD	E	M	L	Weight	Max. deflection	Static load	Max. dynamic load
		[mm]	[mm]	[mm]	[mm]	[mm]	[mm]	[mm]				
S 3516	03500-01-0250	80	70	32	16	16	M16	~ 420	2,30		50 - 250	500
S 3518	03500-01-0500	80	70	32	16	16	M16	~ 480	2,40		100- 500	1000
S 3520	03500-01-0900	100	100	40	20	20	M20	~ 610	4,40		100 - 900	1500
S 3522	03500-01-1500	100	100	40	20	20	M20	~ 650	4,50		300 - 1500	3000
S 3524	03500-01-2500	180	160	50	25	25	M24	~ 800	~ 12		750 - 2500	5000
S 3526	03500-01-5000	220	220	50	25	25	M24	~ 800	~ 22		1000 - 5000	7000

