

Complete rain cap for funnel top penetration

Stock no. 98360

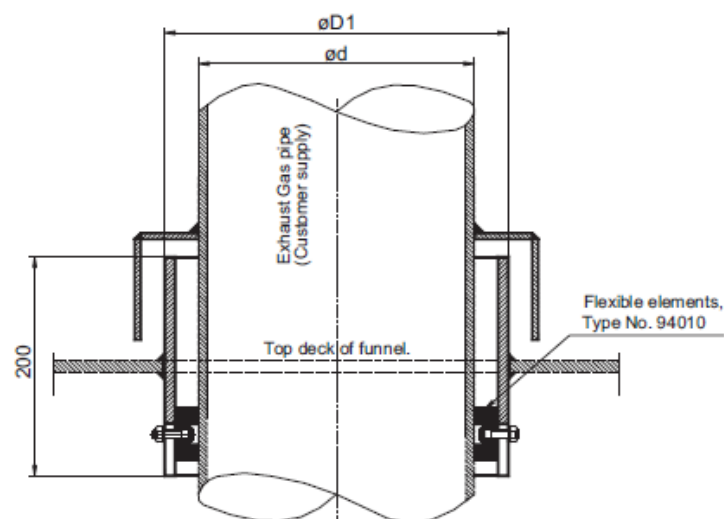
Description:

Complete rain cap with flexible cushions for support of exhaust gas pipe.

This type to be used where exhaust gas pipe is in stainless steel
For carbon steel pipe, see 98360-01-0000

Material:

Coaming (inner pipe) S235JRG2
Rain cap: AISI 316L



Stock No.	ND	ød Outer pipe	øD1 Penetration diameter	Weight
		[mm]	[mm]	
98360-06-0080	80	88,9	130	5,2
98360-06-0100	100	114,3	156	6,2
98360-06-0125	125	139,7	182	6,8
98360-06-0150	150	168,3	210	8,9
98360-06-0200	200	219,1	275	11,3
98360-06-0250	250	273,0	329	13,3
98360-06-0300	300	323,9	380	15,6
98360-06-0350	350	355,6	412	16,7
98360-06-0400	400	406,4	462	18,5
98360-06-0450	450	457,0	513	20,6
98360-06-0500	500	508,0	564	22,5
98360-06-0550	550	559,0	615	24,3

Stock No.	ND	ød Outer pipe	øD1 Penetration diameter	Weight
		[mm]	[mm]	
98360-06-0600	600	610,0	666	26,5
98360-06-0650	650	660,0	716	28,3
98360-06-0700	700	711,0	767	30,1
98360-06-0750	750	762,0	818	31,9
98360-06-0800	800	813,0	869	41,7
98360-06-0850	850	864,0	920	44,1
98360-06-0900	900	914,0	970	55,9
98360-06-0950	950	964,0	1020	59,0
98360-06-1000	1000	1016,0	1072	62,1
98360-06-1100	1100	1120,0	1176	68,2
98360-06-1200	1200	1220,0	1276	73,7

